



# PASSION FOR EXCELLENCE



**JK INDUSTRIES**  
Believes in precision work



## SINCE 1993

Setting Global Standards in  
Metalworking  
Casting | Forging | Turning



# passion for excellence

"Nothing great in the world has ever been accomplished without passion."

## Company Overview

J. K. Industries is ISO 9001:2015 Certified company, a leading manufacturer of precision metal components specializing in the production of steel, stainless steel, and aluminium components ranging in outer diameters from 17mm to 150mm. With a strong commitment to quality, innovation, and customer satisfaction, J. K. Industries has established itself as a trusted partner for industries seeking high-quality, reliable, and customized metal components.

## Infrastructure

J. K. Industries operates from a modern manufacturing facility in 10,000 Sq. feet area equipped with the latest CNC machinery, quality control labs, and a skilled workforce. The facility is designed to streamline production processes, ensuring timely delivery of high-quality components.



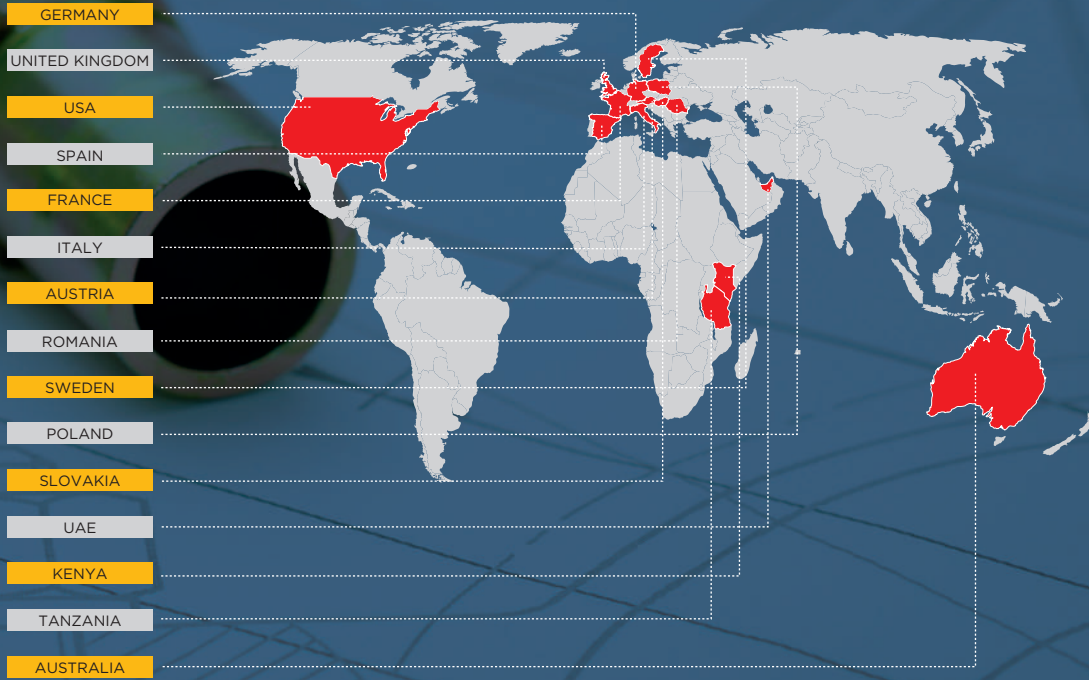
# Global Presence 15

to underline this fact, in the last decade we have been exporting to more than

countries around the globe.



**JK INDUSTRIES**  
Believes in precision work



## Industry Serve



Automotive



Agriculture



Electrical & Electronics



Oil & Gas



Hydraulic



Food & Dispensing



Energy & Power



Textile Industries



Fasteners



General Engineering

### Mission

**Mission:** To be a reliable partner in precision metal component manufacturing by delivering exceptional quality, innovative solutions, and unmatched customer service.

### Vision

**Vision:** To set industry benchmarks in precision manufacturing, constantly pushing the boundaries of what is achievable through technology and expertise.

# Product Specification

<b>Material</b>	Mild Steel, Alloy Steel, Stainless Steel, Aluminium & Brass as per Indian and International standards material grade. (EN,BS,ISO and any other as per customer specific requirements).		
<b>Manufacturing Process</b>	Casting	Investment Casting	20 grams to 5 Kgs.
		Sand Casting	100 grams to 5 Kgs.
	Forging	Open Die	50 grams to 10 Kgs.
		Closed Die	50 grams to 10 Kgs.
Extruded Bar Machining	OD 15 mm to 150 mm		
<b>Finish</b>	All Common : Nitriding, Phosphate Coating, Blacking, Anodizing, Electro Polish (EP), Washing & Cleaning, Nickel-Plated, Zinc Plating, Chrome, Etc. according to specification (VDA & ISO standard).		
<b>Heat treatment</b>	All Common : Annealing, Drawing, Tempering, others on request.		



# Quality Certifications



**JK INDUSTRIES**  
Believes in precision work

Certificado · Sertifika · प्रमाण पत्र · Zertifikat · شهادة

**CERTIFICATE OF REGISTRATION**



**J K INDUSTRIES**

9- Navrangpara , Near Banarasi Chowk,  
Mavdi Plot, Rajkot- 360004, Gujarat, India

This certificate verifies that the above Organisation has been audited on the above address for scope as under and found to be in accordance with the requirements of Management system.

**ISO 9001:2015**  
**Quality Management Systems**

Manufacturing, Suppling & Exports of Precision Components And  
Forging Parts for Automobile & SPM Machine Parts

IAF:17

Certificate No. : Q-23101601

Date of initial registration

16-10-2023

Date of this certificate/ Issue No.

16-10-2023/01

Certificate Expiry

15-10-2026\*

Recertification Due

15-10-2026

\*This Certificate is valid as per Rules and Regulations of ECI & also the surveillance audits conducted atleast once a year.  
To check the certification validity please visit our website- [www.theeci.com](http://www.theeci.com) or contact at- [info@theeci.com](mailto:info@theeci.com)



  
Director

**Equalitas Certifications Limited**

Accreditation by International Accreditation Service: 2080 Saturn Street, Suite 100 Brea, California 92821-1732, USA  
512, DDA 1, District Center, Janakpuri, New Delhi-110058, India. Ph: +91 11 46681431, 9540751844  
Email : [info@theeci.com](mailto:info@theeci.com), Website: [www.theeci.com](http://www.theeci.com)

Rev: 01

The company maintains strict adherence to international quality standards and is ISO 9001:2015 certified. This commitment to quality is reflected in every product that leaves the facility.

**We are used to meeting  
the highest standards as follows.**

- ISIR with cover sheet, PPAP Level 1-5, VDA 1-3,
- Control Plan, PFMEA, SPC, MSA Study as per AIAG
- Optical measurement for quality assurance of the series parts with documentation.
- Documented and traceable exit control.
- Ongoing control of the material during production using latest technology.
- Precise labeling of the parts or barcode printing.



# Extrusion Machining

Material: Steel & Stainless Steel

# Industry Application

- Automobile
- Agriculture
- Food & Dispensing
- Electrical / Electronics
- Fittings / Hydraulic & Pneumatic
- Textile
- Fasteners
- General Engineering





**JK INDUSTRIES**  
Believes in precision work



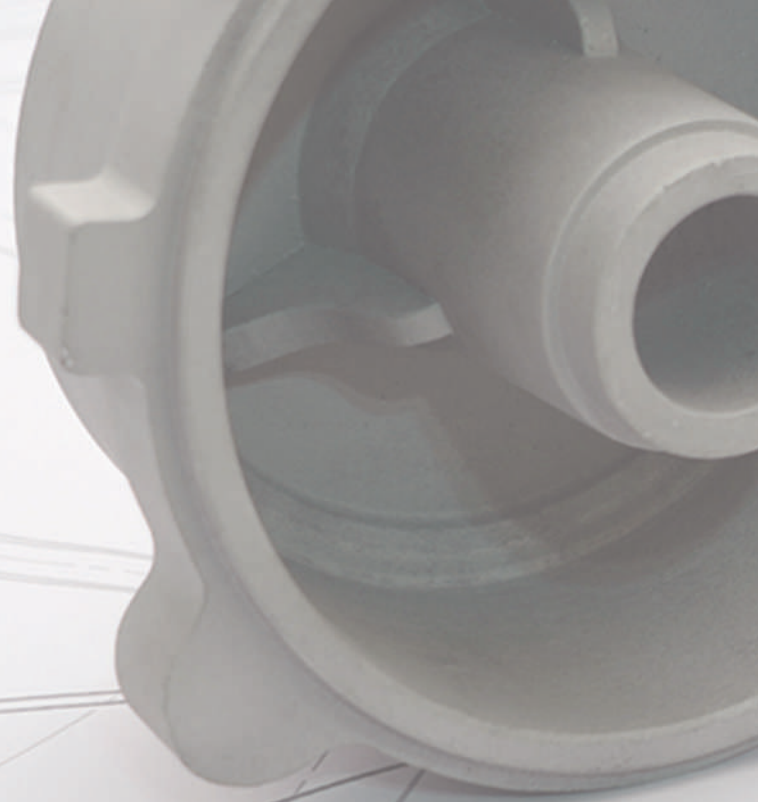


# Castings

Material: Steel & Stainless Steel

## Industry Application

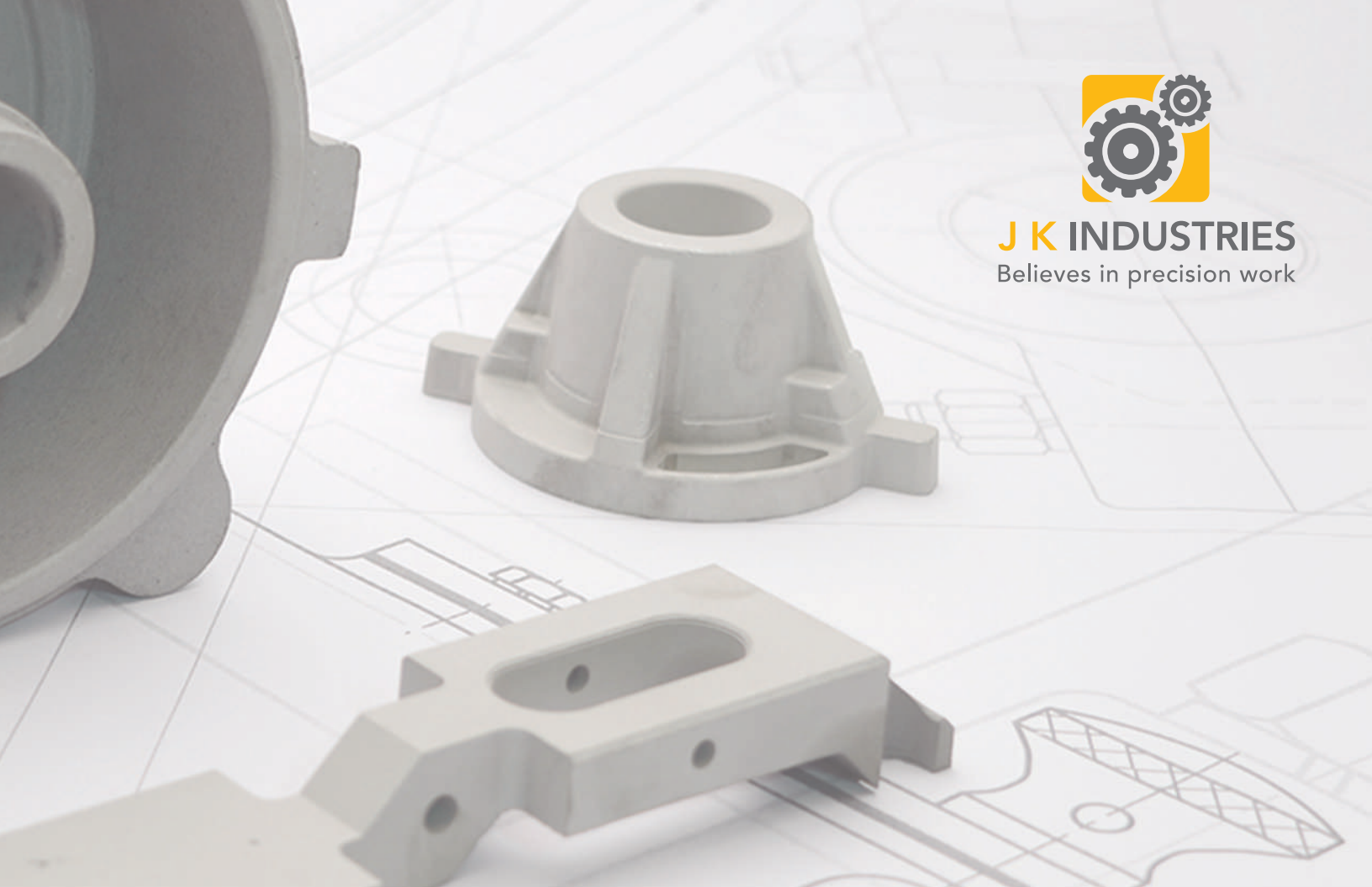
- Automobile
- Agriculture
- Energy & Power
- Oil & Gas
- Textile
- General Engineering







**JK INDUSTRIES**  
Believes in precision work



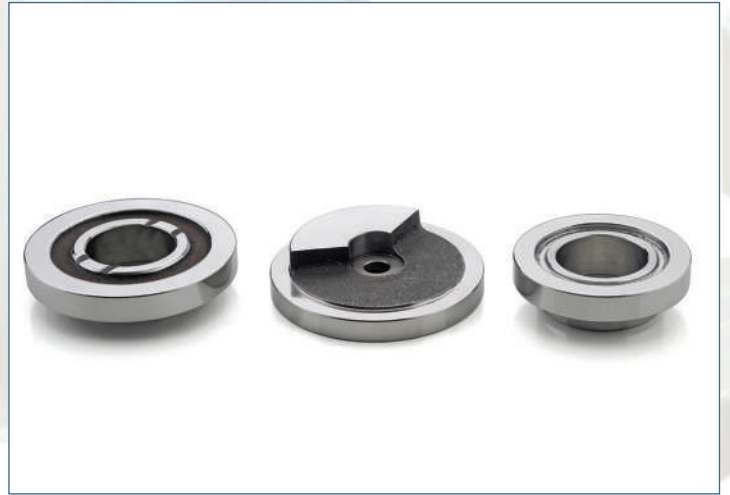


# Forging

Material: Steel & Stainless Steel

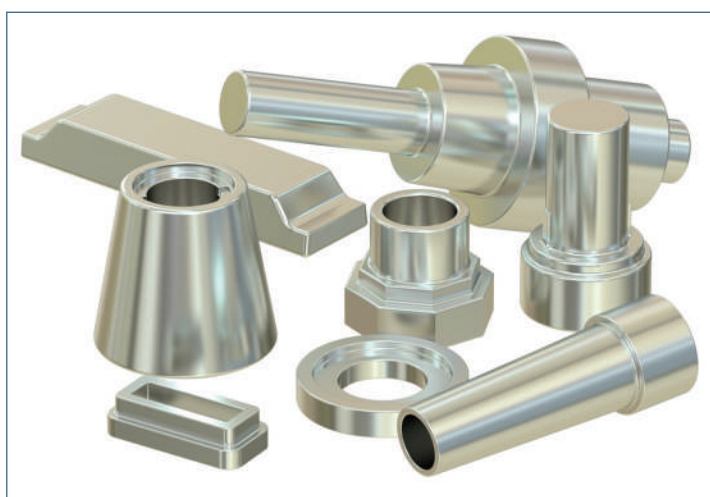
## Industry Application

- Automobile
- Agriculture
- Energy & Power
- Oil & Gas
- Textile
- General Engineering
- Fasteners





**JK INDUSTRIES**  
Believes in precision work





**JK INDUSTRIES**  
Believes in precision work

📍 Survey No. 46/1 , Plot No 60,  
Vavdi Industrial Area , Nr. Ice Factory,  
Beside Falcon Pump, Vavdi,  
Rajkot - 360 004.(Gujarat) INDIA.

✉ info@jkindustriesindia.com  
🌐 www.jkindustriesindia.com  
☎ +91 98252 16941 | +91 99090 90209

for our location  
please scan

